

# HermanMiller

## Ode™ Floor Lamp

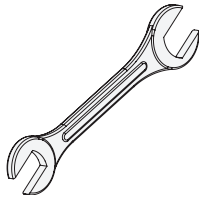


### How to assemble your floor lamp.

#### Tools Required



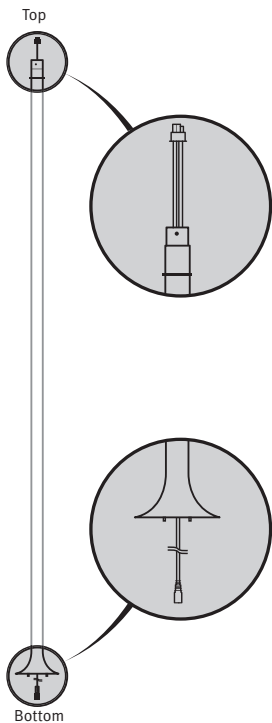
#2 Standard Phillips Screw driver



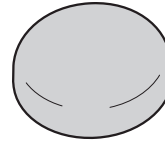
10 mm Wrench

#### Step 1

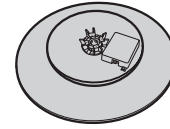
1.1 Remove Post from Packaging.



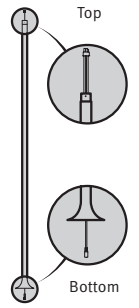
#### Parts Included



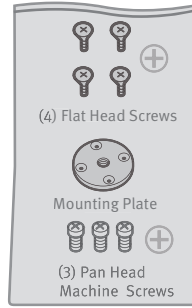
A. Shade Weldment



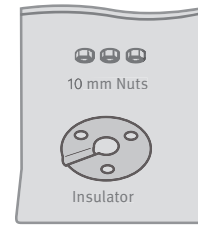
B. Lamp Head Assembly



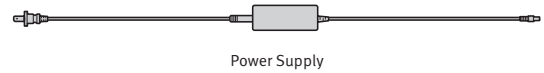
C. Post Assembly



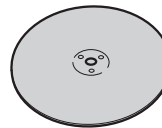
B. Lamp Head Assembly



E. Hardware Pack



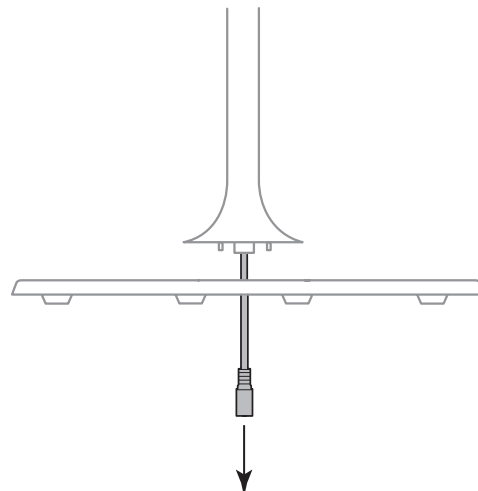
Power Supply



Base

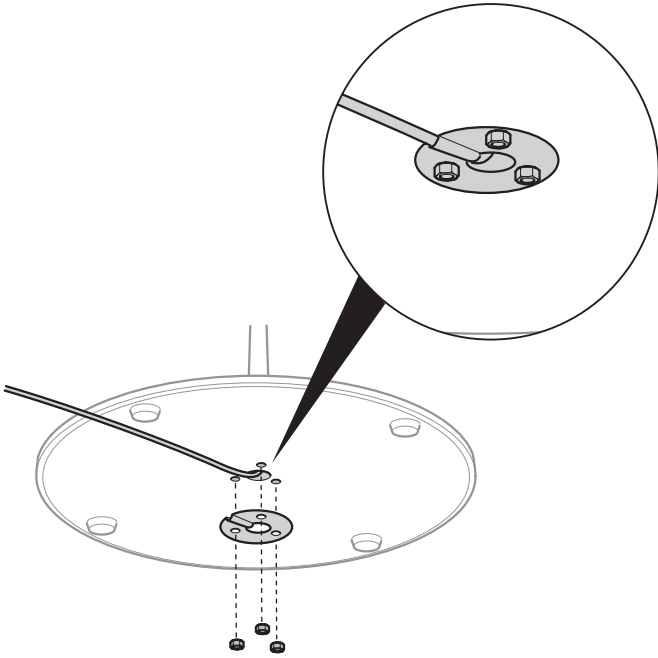
#### Step 2

2.1 Feed wire through central hole of base assembly.



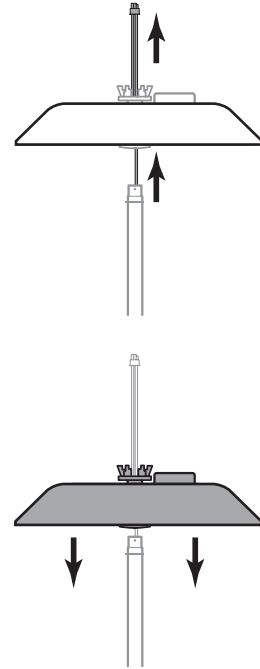
**Step 3**

3.1 Attach base assembly using three 10 mm M6 Nuts. Make sure that the insulator is installed between the base assembly and the screws.



**Step 4**

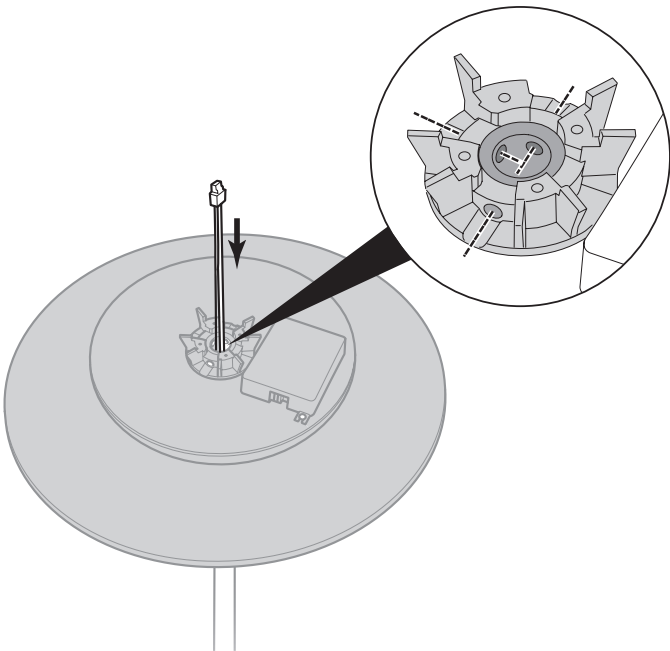
4.1 Feed wire end through lamp head assembly.



**Step 5**

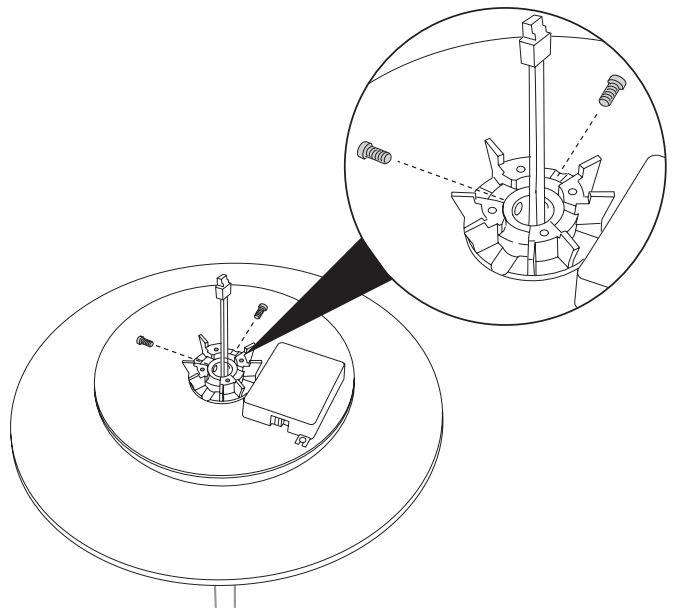
5.1 Set lamp head assembly into place on top of the Post.

**Note:** Make sure all holes on the post, light head and shade support line up.



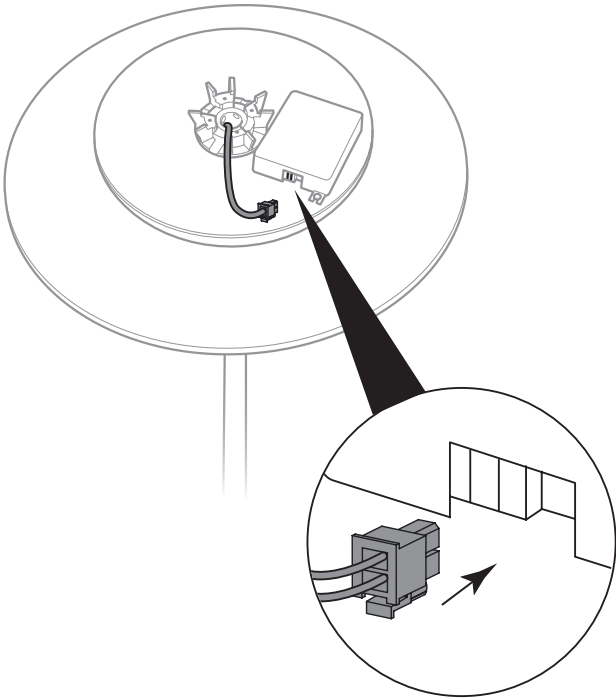
**Step 6**

6.1 Install the three pan head machine screws with washers around the shade support.



**Step 7**

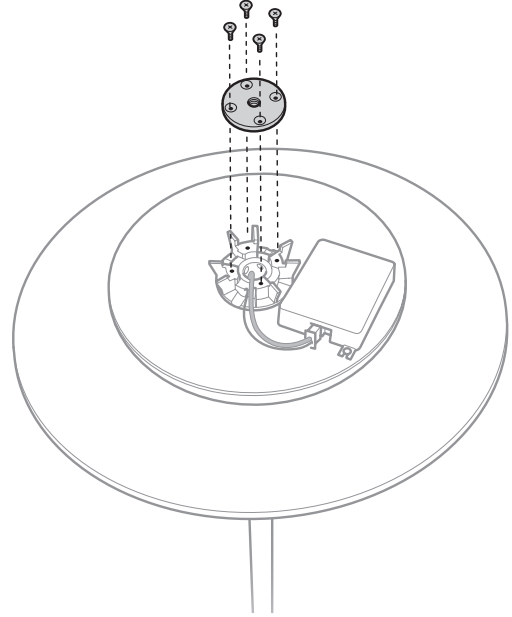
7.1 Plug the wire connector with tab down into the side of PCB driver board.



**Step 8**

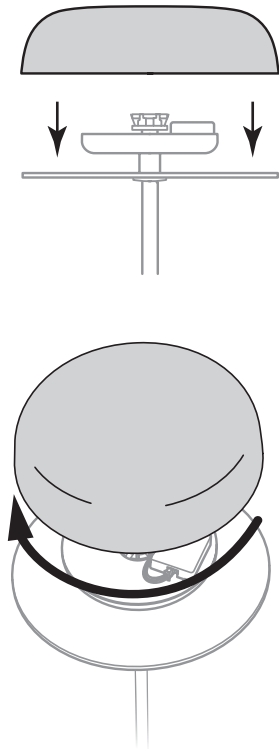
8.1 Place both wires underneath the Shade Mounting Plate then proceed to Screw the shade mounting plate into the lamp head assembly using four flat head screws.

**Note:** Do not Pinch wires.



**Step 9**

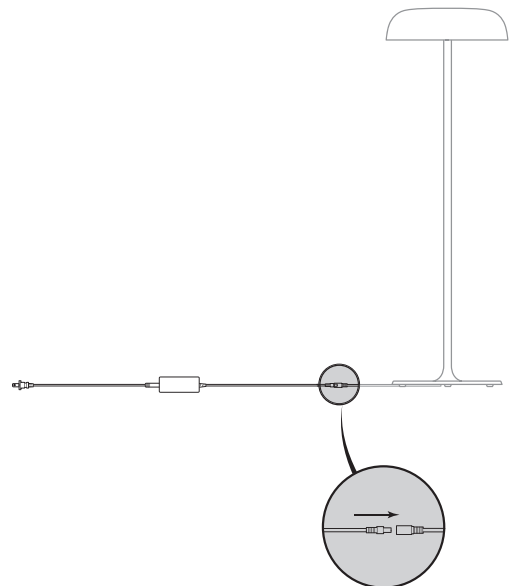
9.1 Twist the shade weldment onto the mounting plate.



**Step 10**

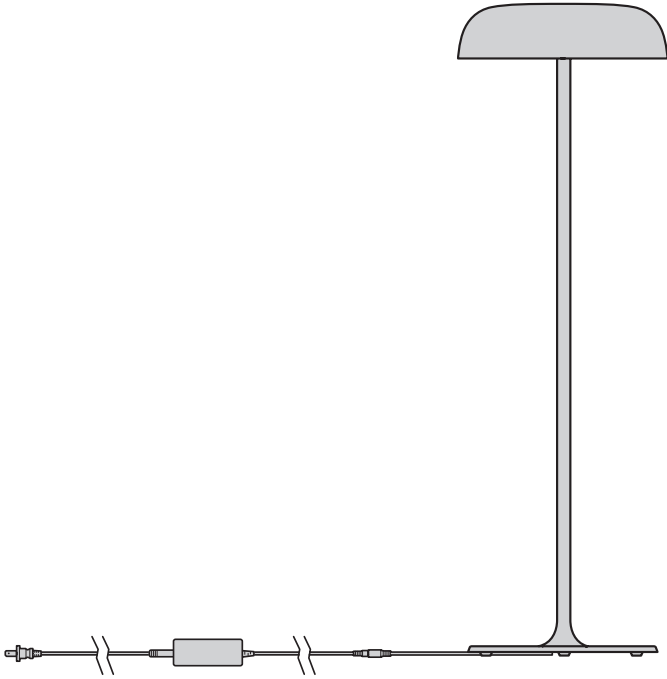
10.1 Place lamp on desired floor location, making sure power supply and cord are properly routed. Plug power supply into a standard electrical outlet.

**Note:** After connecting power to the Lamp, you must stand clear (No touching) for 10 seconds so the lamp can adjust to its surrounding for proper functionality.



## Step 11

11.1 After the 10 seconds has lapsed, approach lamp, grasp post to turn lamp on.



**Note:** If at anytime the lamp is moved or it seems to be functioning erratically, you will need to perform a reset on the lamp.

**To Reset Lamp:**

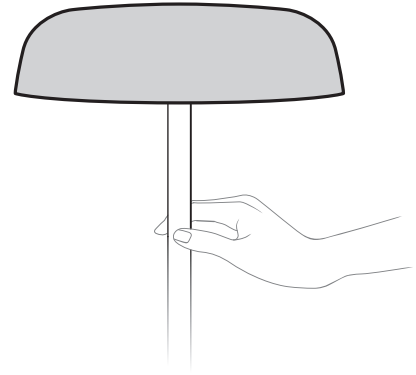
1. Disconnect power to the lamp for 10 seconds.
2. Reconnect power, stand clear of lamp (not touching) for 10 seconds.
3. After 10 seconds has lapsed touch post to turn lamp on.

## To operate lamps:









Grasp any part of the post to turn lamps on or off.

Note: By design light automatically shuts off after nine hours.

For Example: The light is turned on and runs for two hours before being turned off. The light is then turned on again so now it will continue to run for an additional seven hours and then will turn off automatically.



## TROUBLESHOOTING

 	Light Use. Before the Ode Light will operate properly it must be located in the intended location and then plugged in to the electrical supply for atleast 10 seconds to allow the touch sensor to adapt to the light's environment.
 	If the customer wants to move the Ode Light, they must unplug the Ode Light from the electrical supply, move to new location. Plug the Ode Light back in to the electrical supply and wait at least 10 seconds. The Ode Light Touch Sensor should operate properly after this time has elapsed.
 	If the Ode Light does not Operate properly, follow the unplug the Ode Light and wait at least 10 seconds instruction. Plug the Ode Light back in to the electrical supply and wait at least 10 seconds. The Ode Light Touch Sensor Should operate properly after this time has elapsed.
 	<b>NOT following the recommended elapsed wait times may cause the Ode Light to Not Operate or Operate erratically.</b>

For more information about our products and services please visit us at [hermanmiller.com](http://hermanmiller.com) or call (800) 851 1196.

©2021 Herman Miller, Inc., Zeeland, Michigan Printed in U.S.A. Part NO. 1BGH00