

HermanMiller

Vantum Gaming Chair Installation Instructions



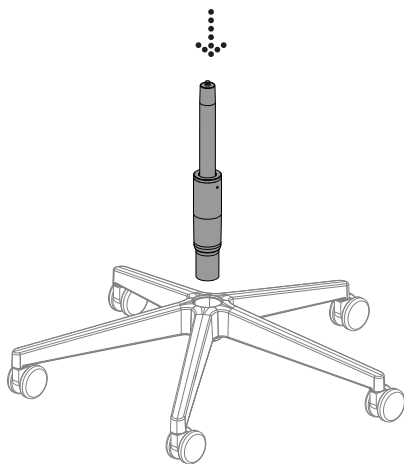
How to assemble your chair.

Notice:

Some of the parts have been wrapped to protect them during shipping. Remove the plastic wrap before assembling the chair.

Step 1

Place base on floor and insert cylinder.



Parts Included



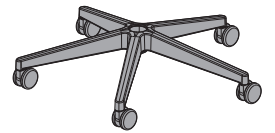
Head Rest



Chair



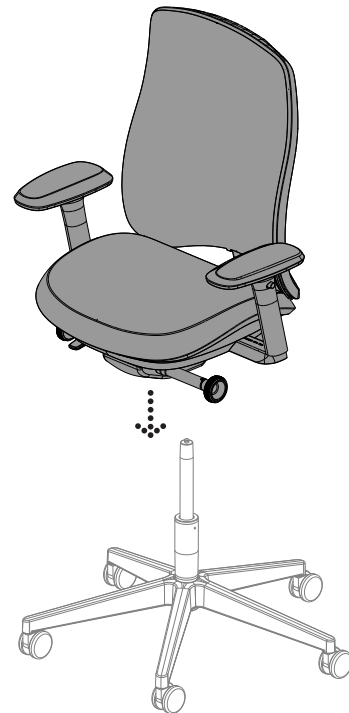
Cylinder



Base

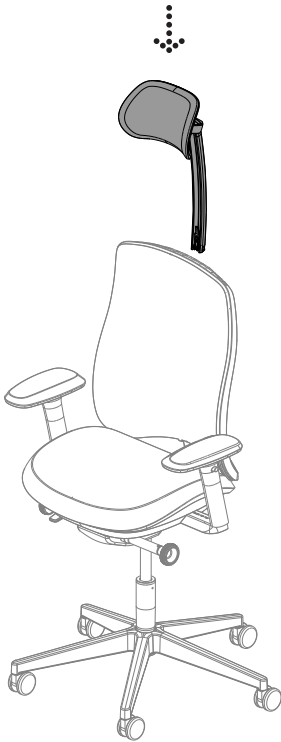
Step 2

Place the chair onto the cylinder.



Step 3

Insert headrest into the chair back slot.



Step 4

Sit firmly on the chair several times to complete the installation.



View Disassembly Instruction for Recycling



<https://www.hermanmiller.com/services/search/productinstructions?getDoc=1BVRRX>