

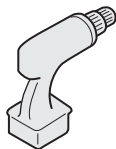
HermanMiller

Nelson™ Bubble Lamp Series



How to install your hanging lamp

Tools Required



Power Driver



1/8" Allen Driver Bit



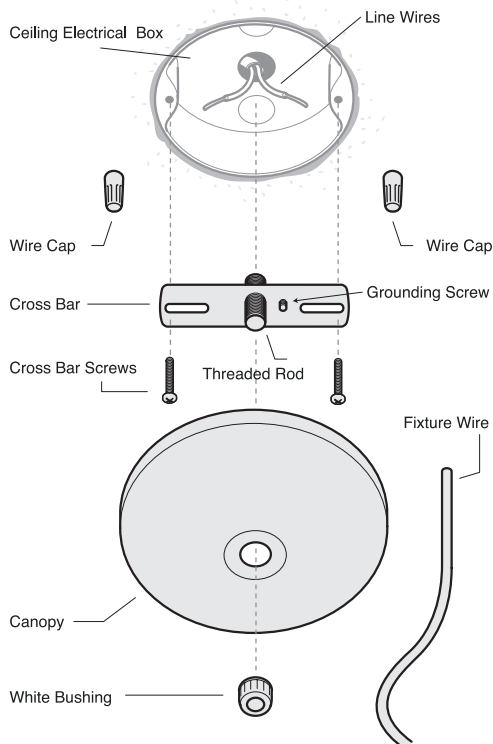
Wire Cutter



Phillips Screw Driver

Step 1

Prepare your parts and mounting location.

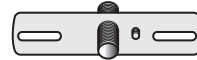


THIS PRODUCT MUST BE INSTALLED IN ACCORDANCE WITH THE APPLICABLE INSTALLATION CODE BY A PERSON FAMILIAR WITH THE CONSTRUCTION AND OPERATION OF THE PRODUCT AND THE HAZARDS INVOLVED.

PLEASE REMOVE BRAND MEDALLION FROM PRODUCT BEFORE USE.

Parts Included

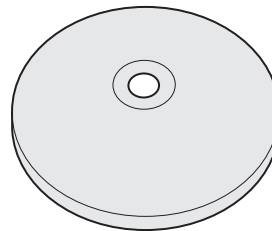
A. Cross Bar



(2) Wire Caps



B. Canopy



(2) Screws



Bushing



Step 2

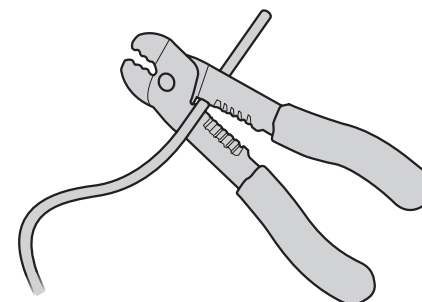
2.1

Disconnect all power. Be 100% sure power is off before starting. Use a meter if you have one or flip switches to test if you don't.



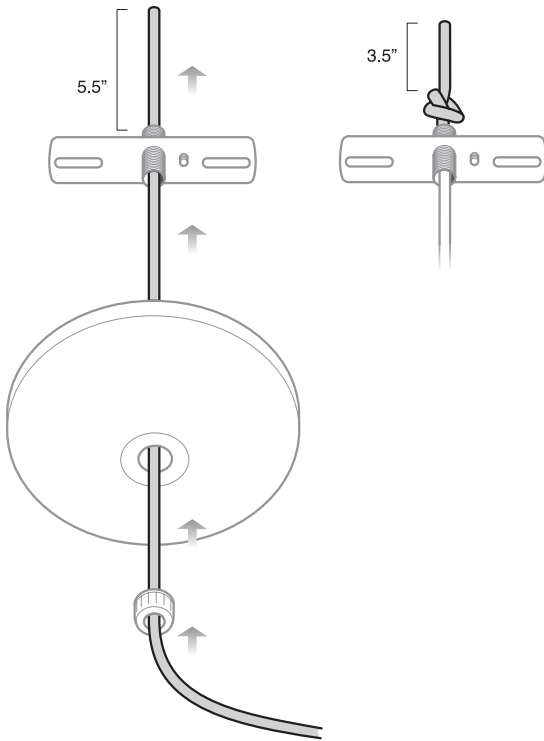
2.2

Using wire cutter, cut fixture wire to desired length.



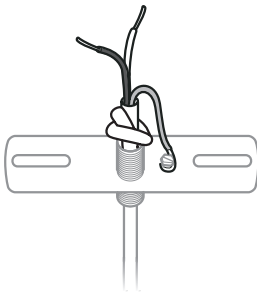
Step 3

Run fixture wire up through components in the order you see below. Leave about 5.5" of wire above the threaded rod. Now make a knot in the wire to act as strain relief. This should leave you with about 3.5" for step 4.



Step 5

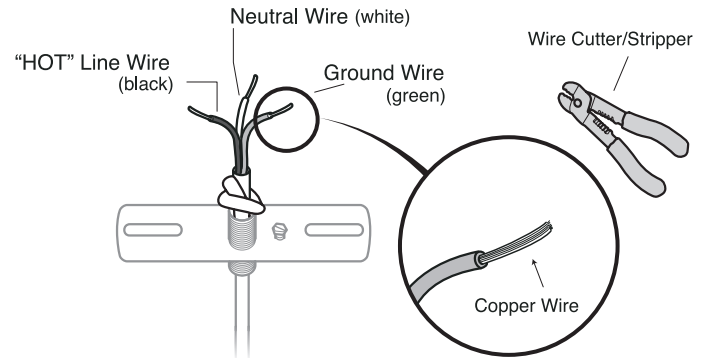
Connect the green ground wire to the grounding screw.



Step 4

4.1

Using wire cutter, cut and strip off 3 inches of the wire casing on the fixture wire to expose the line wire, the neutral wire and ground wire.

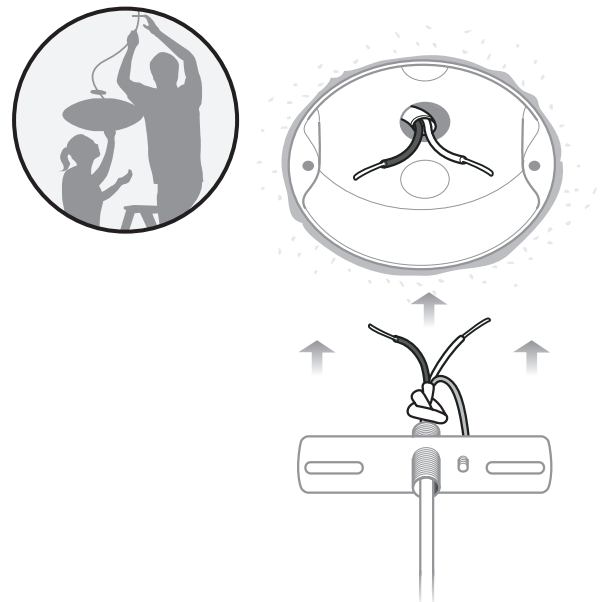


4.2

Strip .75" of the casing on these three wires to expose the copper wire you will use to connect to the line wires and the grounding screw. Use wire stripper feature on the wire cutter.

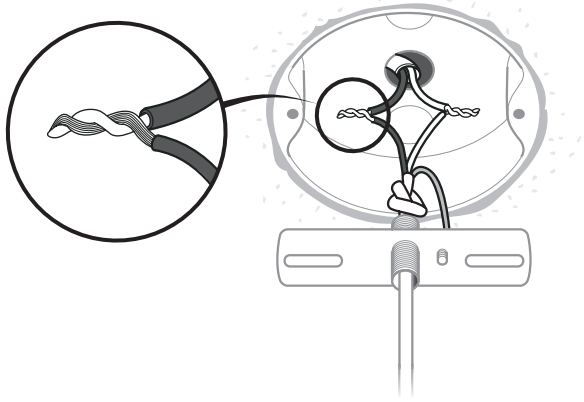
Step 6

Have someone support the lamp shade, canopy and bushing while you connect the line wires to the fixture wires. Black to black and white to white.



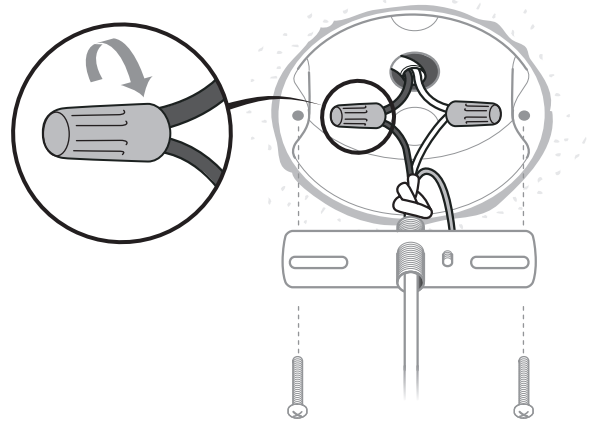
Step 7

Thoroughly and uniformly twist the copper wiring together to ensure a good connection to the line wire.



Step 8

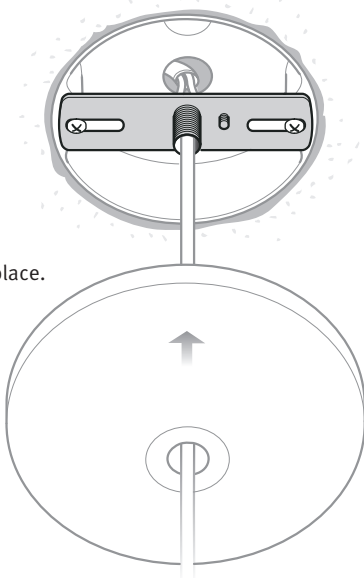
Twist the wire caps over the connected copper wiring and make sure the two sets of connected wires are kept apart.



Step 9

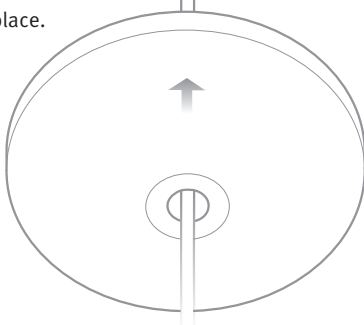
9.1

Attach cross bar to the electrical box.



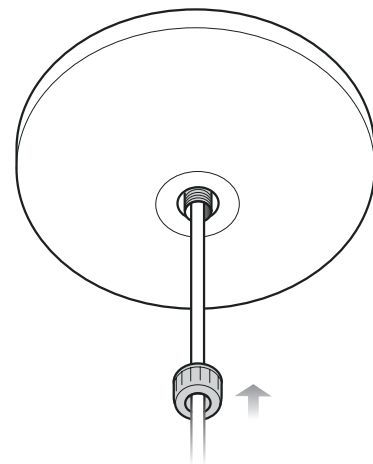
9.2

Slide canopy in place.



Step 10

Once the canopy is flush against the ceiling, slide the white bushing up and attach it to the threaded rod.



Step 11

Turn power back on and enjoy your Nelson Bubble Lamp.

